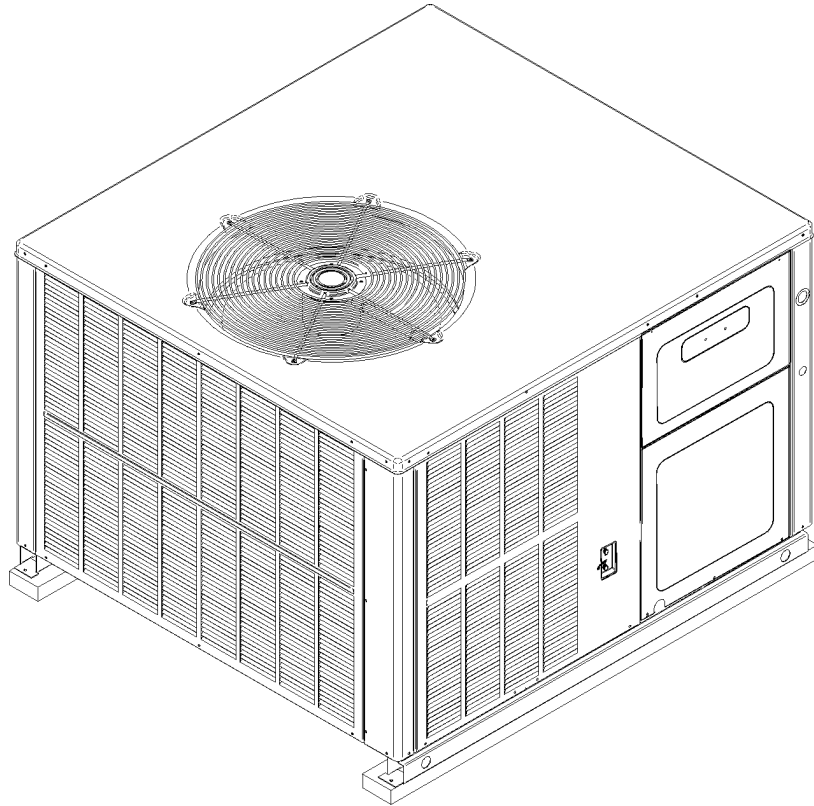


REPAIR PARTS

GPC13 "M" Series 3-5 Ton Package Coolers

GPC1336M41AA
GPC1336M41BA
GPC1336M41CA
GPC1336M43AA
GPC1348M41AA
GPC1348M41BA
GPC1348M41CA
GPC1348M43AA
GPC1348M43BA
GPC1360M41AA
GPC1360M41BA
GPC1360M41CA
GPC1360M43AA
GPC1360M43BA



This manual is to be used by qualified technicians only.

This manual replaces RP-595.

© 2009, 2012 Goodman Manufacturing Company, L.P. ♦ 5151 San Felipe, Suite 500 ♦ Houston, TX 77056

Important Information

Index

Functional Parts List	3
Illustration and Parts	4 - 11

Views shown are for parts illustrations only, not servicing procedures.

This system uses R410A refrigerant. If sealed system work is required, use approved equipment and follow service procedures. Refer to Service Manual or Installation Instructions for service procedures.

Rev A: addition of models with Broad Ocean Digi Motors, SPWK, aluminum evaporator coils and 5mm condenser coils.

Text Codes:

AR - As Required

NA - Not Available

NS - Not Shown

00000000 - See Note

QTY - Quantity Example (QTY 3) (If Quantity not shown, Quantity = 1)

M - Model Example (M1) (If M Code not shown, then part is used on all Models)

Expanded Model Nomenclature:

Example M1 - Model#1 M2 - Model#2 M3 - Model#3

Goodman Manufacturing Company, L.P. is not responsible for personal injury or property damage resulting from improper service. Review all service information before beginning repairs.

Warranty service must be performed by an authorized technician, using authorized factory parts. If service is required after the warranty expires, Goodman Manufacturing Company, L.P. also recommends contacting an authorized technician and using authorized factory parts.

Goodman Manufacturing Company, L.P. reserves the right to discontinue, or change at any time, specifications or designs without notice or without incurring obligations.

For assistance within the U.S.A. contact:

Consumer Affairs Department
Goodman Manufacturing Company, L.P.
7401 Security Way
Houston, Texas 77040
877-254-4729-Telephone
713-863-2382-Facsimile

For assistance outside the U.S.A. contact:

International Division
Goodman Manufacturing Company, L.P.
7401 Security Way
Houston, Texas 77040
713-861-2500-Telephone
713-863-2382-Facsimile

Functional Parts

Part No: **Description:**

0130M00014	240 VOLT RELAY (M1, M2, M3)
11091203S	BLOWER MOTOR 1/3 HP, 3 SP, 6 PL (M1, M2, M3, M4)
D6723303S	BLOWER WHEEL
CAP050450440RT	CAP, 5/45 MFD/440V/DUAL RD (M1, M5)
CAP100000370VA	CAPACITOR 10/370V [BLOWER] (M1, M2, M3, M4)
CAP050000370VA	CAPACITOR 5/370V (M4, M8, M9, M13, M14)
CAP050450440RT	CAPACITOR 5/45/440V (M2, M3, M6, M7)
CAP050700440RT	CAPACITOR 5/70 MFD/440V/DUAL RD (M10, M11, M12)
ZP31K5EPFV130	COMPRESSOR 31100, 208/230/60/1 (M1, M2, M3)
ZP31K5ETF5130	COMPRESSOR 31200, 200/230/60/3 (M4)
ZP39K5ETF5130	COMPRESSOR 39000, 200/230/60/3 (M8, M9)
ZP39K5EPFV130	COMPRESSOR 39000, 208/230/60/1 (M5, M6, M7)
ZP51K5EPFV130	COMPRESSOR 51000, 208/230/60/1 (M10, M11, M12)
ZP51K5ETF5130	COMPRESSOR 51000, 208/230/60/3 (M13, M14)
0131M00007P	COND MOTOR 1/4 HP, 1 SP, 6 PL
CONT1P025024V	CONTACTOR 25 AMP, 1P, 24V (M1, M2, M3)
CONT3P025024V	CONTACTOR 25 AMP, 3P, 24V (M4, M8, M9, M13, M14)
CONT2P040024V	CONTACTOR 40 AMP, 2P, 24V (M5, M6, M7, M10)
PCBFM131	ELECTRONIC BLOWER TIME DELAY RELAY (M1, M2, M3, M4)
0150M00011	FAN BLADE SWEPT-WING (M5, M6, M7, M8, M9, M10, M11, M12, M13, M14)
0150G00002	FAN BLADE SWEPT-WING (M1, M2, M3, M4)
0162M00115	FLOWRATOR (M10, M11, M13, M14)
B2114670	FLOWRATOR .070 [EVAP] (M1, M2, M4)
0162M00094	FLOWRATOR .076 [COND] (M5, M6, M8, M9)
0130M00074	HIGH PRESSURE SWITCH (M2, M3, M6, M7, M9, M11, M12, M14)
0130M00018	HIGH PRESSURE SWITCH (M1, M4, M5, M8, M10, M13)
0131M00334	MOTOR - 1 HP PROGRAMMED SELEC (M10, M13)
0131M00341	MOTOR - 3/4 HP PROGRAMMED SELE (M5, M8)
0131M00460	PROGRAMMED MOTOR (M11, M12, M14)
0131M00467	PROGRAMMED MOTOR (M6, M7, M9)
B1141643	TRANSFORMER 208/230, 24V

Expanded Model Nomenclature

M1 - GPC1336M41AA
M2 - GPC1336M41BA
M3 - GPC1336M41CA
M4 - GPC1336M43AA
M5 - GPC1348M41AA
M6 - GPC1348M41BA
M7 - GPC1348M41CA
M8 - GPC1348M43AA
M9 - GPC1348M43BA
M10 - GPC1360M41AA
M11 - GPC1360M41BA
M12 - GPC1360M41CA
M13 - GPC1360M43AA
M14 - GPC1360M43BA

Cabinet Assembly

Image 1

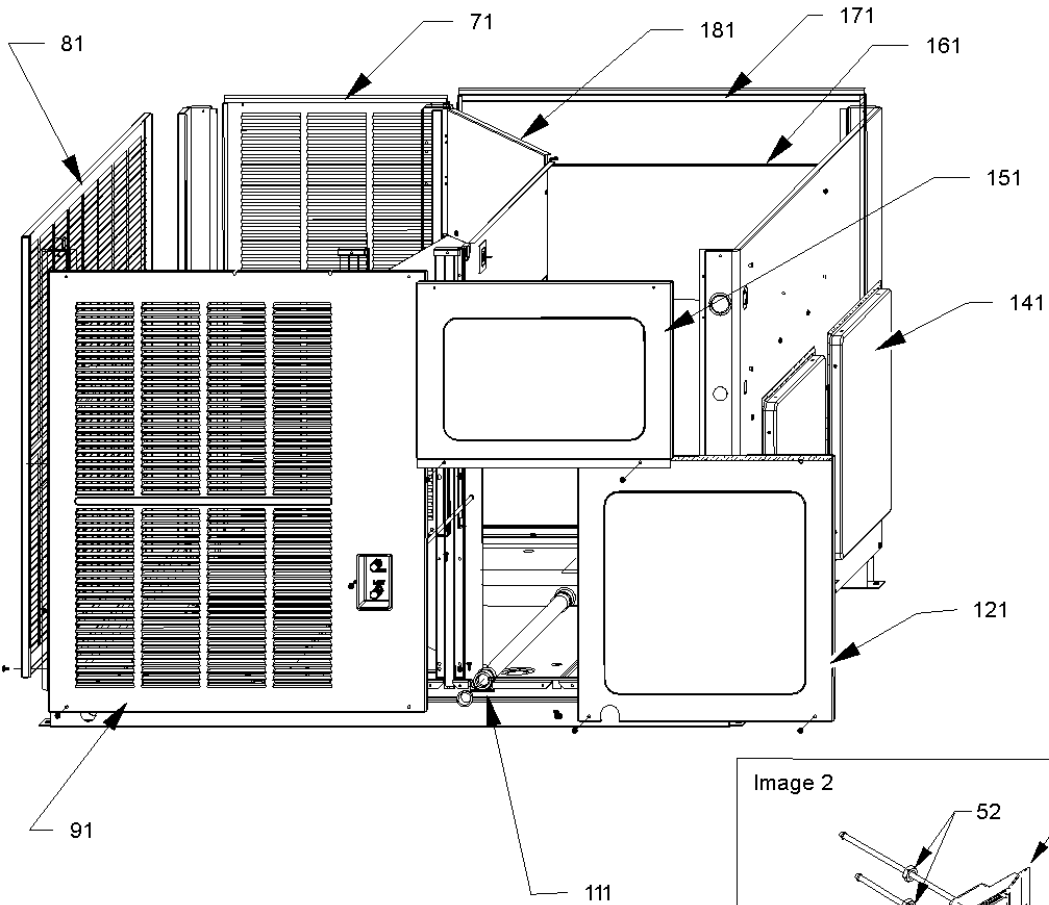
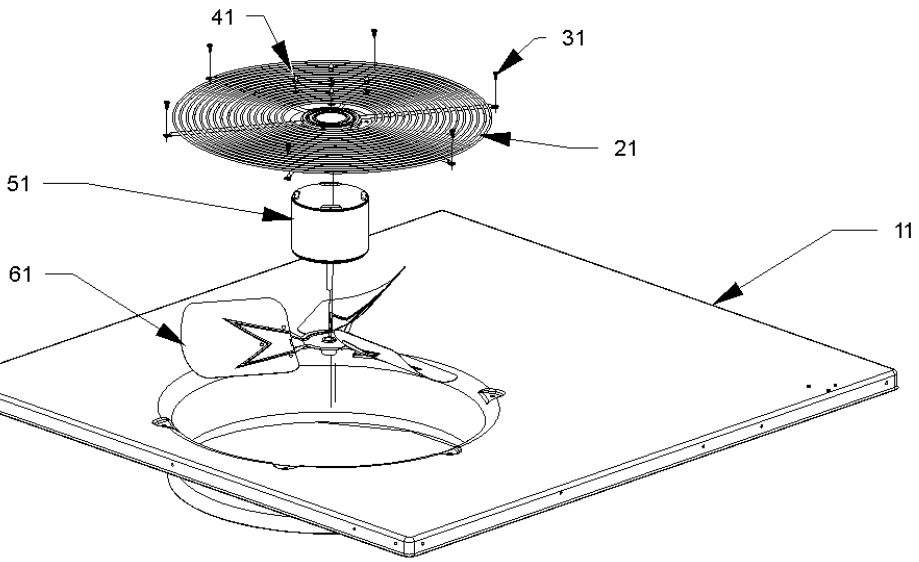
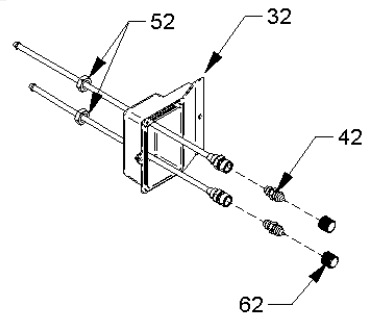


Image 2



Cabinet Assembly

**Ref. Part
No: No:**

Description:

**Ref. Part
No: No:**

Description:

Image 1:

11	0121G00156PDG	PNL, TOP, PNT
21	0152G00000	FAN GRILLE, RAISED
31	M0221817	SMALL SCREW (QTY 6)
41	0163M00006P	ACORN NUT 5/16 HEX BLACK (QTY 4)
51	0131M00007P	COND MOTOR 1/4 HP, 1 SP, 6 PL
61	0150G00002	FAN BLADE SWEEP-WING (M1, M2, M3, M4)
61	0150M00011	FAN BLADE SWEEP-WING (M5, M6, M7, M8, M9, M10, M11, M12, M13, M14)
71	20467701PDG	LOUVERED PANEL, COND SIDE 32" (M1, M2, M3, M4)
71	20467702PDG	LOUVERED PANEL, COND SIDE 40" (M5, M6, M7, M8, M9, M10, M11, M12, M13, M14)
81	20464401PDG	LOUVERED PANEL, COND SIDE 32" (M1, M2, M3, M4)
81	20464402PDG	LOUVERED PANEL, COND SIDE 40" (M5, M6, M7, M8, M9, M10, M11, M12, M13, M14)
91	0121G00147PDG	LOUVERED PANEL 4 BANK 40", COMP SIDE (M10, M11, M12, M13, M14)
91	0121G00223DG	SOLID PANEL COMPRESSOR 32.5" (M1, M2, M3, M4)
91	0121G00224DG	SOLID PANEL COMPRESSOR 40" (M5, M6, M7, M8, M9)
111	0261G00000	DRAIN PIPE
121	0260G00023P	INSULATED ASSY, BLOWER PANEL 32.5" (M1, M2, M3, M4)
121	0260G00024P	INSULATED ASSY, BLOWER PANEL 40" (M5, M6, M7, M8, M9, M10, M11, M12, M13, M14)
141	20464501PDG	BACK DUCT COVER 27" & 32" (M4)
141	20464502PDG	BACK DUCT COVER 40" (M8, M9, M13, M14)
151	0121G00213DG	CONTROL BOX PANEL
161	0260G00034	INSULATED ASSY, EVAP BLOCK-OFF 32" (M1, M2, M3, M4)
161	0260G00035	INSULATED ASSY, EVAP BLOCK-OFF 40" (M5, M6, M7, M8, M9, M10, M11, M12, M13, M14)
171	0260G00025P	ASSY, INSUL, BLO PNL, 32.5 (M1, M2, M3, M4)
171	0260G00026P	ASSY, INSUL, BLO PNL, 40 (M5, M6, M7, M8, M9, M10, M11, M12, M13, M14)
181	0260G00022P	INSULATED ASSY, FAN SHROUD
NS	17788000083F	PVC CONDUIT 8.25"

Expanded Model Nomenclature

M1 - GPC1336M41AA
M2 - GPC1336M41BA
M3 - GPC1336M41CA
M4 - GPC1336M43AA
M5 - GPC1348M41AA
M6 - GPC1348M41BA
M7 - GPC1348M41CA
M8 - GPC1348M43AA
M9 - GPC1348M43BA
M10 - GPC1360M41AA
M11 - GPC1360M41BA
M12 - GPC1360M41CA
M13 - GPC1360M43AA
M14 - GPC1360M43BA

Image 2:

32	0161G00008	ACCESS-FITTING BOX
42	B1373315	ACCESS FITTING (QTY 2)
52	0163G00000P	FASTEST FITTING NUT (QTY 2)
62	0163M00175	CAP WITH O-RING (QTY 2)

Partition Panel/Compressor

Image 1

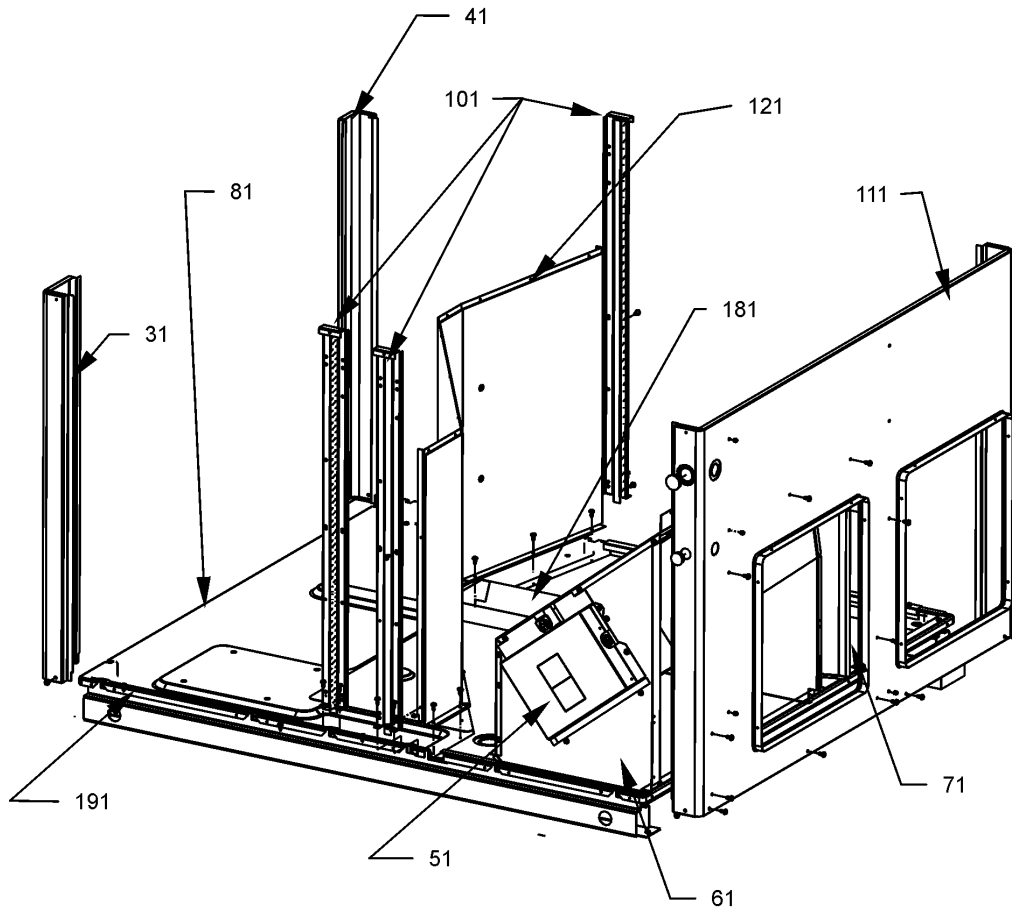
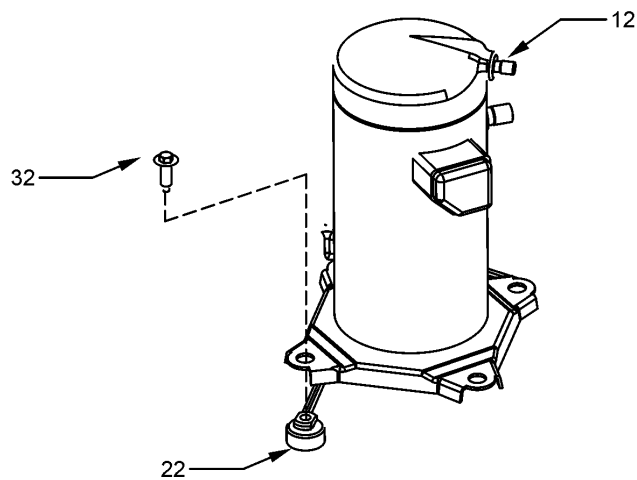


Image 2



Partition Panel/Compressor

**Ref. Part
No: No:**

Description:

**Ref. Part
No: No:**

Description:

Image 1:

31	20464201PDG	CORNER POST-COMP END 32" (M1, M2, M4)
31	20464202PDG	CORNER POST-COMP END 40" (M5, M6, M7, M8, M9, M10, M11, M12, M13, M14)
31	0121G00453DG	CORNER-POST COMP END, PNT (M3)
41	20464301PDG	CORNER POST-HAIRPIN END 32" (M1, M2, M4)
41	20464302PDG	CORNER POST-HAIRPIN END 40" (M5, M6, M7, M8, M9, M10, M11, M12, M13, M14)
41	0121G00454DG	CORNER-POST HPIN END, PNT (M3)
51	0121G00221	HEATER KIT COVER (M4)
61	0221G00014	BLOWER TRANSITION ASSY
71	0121G00158	EVAP BLOCK-OFF 32.5" (M1, M2, M3, M4)
71	0121G00159	EVAP BLOCK-OFF 40" (M5, M6, M7, M8, M9, M10, M11, M12, M13, M14)
81	0121G00444	BASEPAN, PACKAGE
101	0121G00208	SUPPORT POST 32" (M1, M2, M3, M4)
101	0121G00209	SUPPORT POST 40" (M5, M6, M7, M8, M9, M10, M11, M12, M13, M14)
111	0260G00018P	INSULATED ASSY, DUCT 32.5" (M1, M2, M3, M4)
111	0260G00019P	INSULATED ASSY, DUCT 40" (M5, M6, M7, M8, M9, M10, M11, M12, M13, M14)
121	0260G00020P	INSULATED ASSY, PARTITION PANEL 32" (M1, M2, M3, M4)
121	0260G00021P	INSULATED ASSY, PARTITION PANEL 40 (M5, M6, M7, M8, M9, M10, M11, M12, M13, M14)
181	0161G00003	PLASTIC DRIP PAN
191	0121G00290	BASE PAN RAIL (QTY 2)
NS	0121G00235	FAN BAFFLE
NS	B1219225	SINGLE-FLOW FILTER DRIER, STEEL

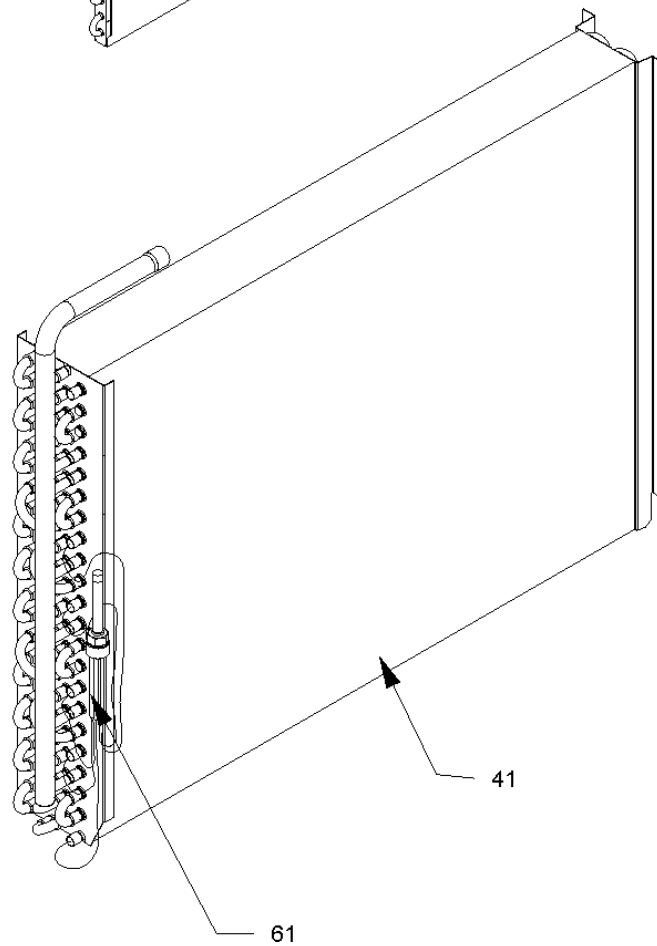
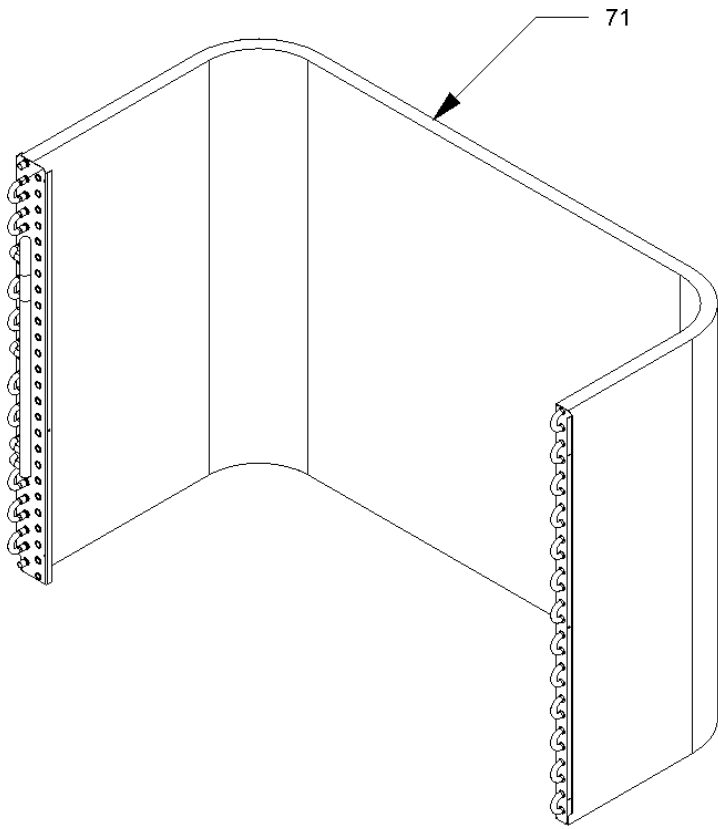
Expanded Model Nomenclature

M1 - GPC1336M41AA
M2 - GPC1336M41BA
M3 - GPC1336M41CA
M4 - GPC1336M43AA
M5 - GPC1348M41AA
M6 - GPC1348M41BA
M7 - GPC1348M41CA
M8 - GPC1348M43AA
M9 - GPC1348M43BA
M10 - GPC1360M41AA
M11 - GPC1360M41BA
M12 - GPC1360M41CA
M13 - GPC1360M43AA
M14 - GPC1360M43BA

Image 2:

12	ZP31K5EPFV130	COMPRESSOR 31100, 208/230/60/1 (M1, M2, M3)
12	ZP31K5ETF5130	COMPRESSOR 31200, 200/230/60/3 (M4)
12	ZP39K5ETF5130	COMPRESSOR 39000, 200/230/60/3 (M8, M9)
12	ZP39K5EPFV130	COMPRESSOR 39000, 208/230/60/1 (M5, M6, M7)
12	ZP51K5EPFV130	COMPRESSOR 51000, 208/230/60/1 (M10, M11, M12)
12	ZP51K5ETF5130	COMPRESSOR 51000, 208/230/60/3 (M13, M14)
22	B1339533	COMPRESSOR GROMMET (QTY 4)
32	M0221641	TF SHOULDER SCREW (QTY 4)
NS	0159G00002	COMPRESSOR SCROLL HARNESS (M1, M2, M3, M5, M6, M7)
NS	0159G00005	COMPRESSOR SCROLL HARNESS (M10, M11, M12)
NS	0159G00007	COMPRESSOR SCROLL HARNESS (M4, M8, M9, M13, M14)

Coil/Evap Assembly



Coil/Evap Assembly

Ref. Part No:	Ref. Part No:	Description:	Description:
<i>Image 1:</i>			
41	0202G00085P	EVAP COIL ASSY (M5, M6, M8, M9, M10, M11, M13, M14)	
41	0202G00398	EVAP COIL ASSY (M3)	
41	0202G00400	EVAP COIL ASSY (M7)	
41	0202G00401	EVAP COIL ASSY (M12)	
41	0202G00111	TUBING ASSY, EVAP COIL (M1, M2, M4)	
61	0162M00115	FLOWRATOR (M10, M11, M13, M14)	
61	B2114670	FLOWRATOR .070 [EVAP] (M1, M2, M4)	
61	0162M00094	FLOWRATOR .076 [COND] (M5, M6, M8, M9)	
71	0201G00093S	COND COIL TUBING ASSY (M10, M11, M12, M13, M14)	
71	0201G00142	COND COIL TUBING ASSY (M1, M2, M4)	
71	0201G00144	COND COIL TUBING ASSY (M5, M6, M7, M8, M9)	
71	0201G00249	COND COIL TUBING ASSY (M3)	
NS	0130M00018	HIGH PRESSURE SWITCH (M1, M4, M5, M8, M10, M13)	
NS	0130M00074	HIGH PRESSURE SWITCH (M2, M3, M6, M7, M9, M11, M12, M14)	

Expanded Model Nomenclature

M1 - GPC1336M41AA
M2 - GPC1336M41BA
M3 - GPC1336M41CA
M4 - GPC1336M43AA
M5 - GPC1348M41AA
M6 - GPC1348M41BA
M7 - GPC1348M41CA
M8 - GPC1348M43AA
M9 - GPC1348M43BA
M10 - GPC1360M41AA
M11 - GPC1360M41BA
M12 - GPC1360M41CA
M13 - GPC1360M43AA
M14 - GPC1360M43BA

Control Panel/Blower Assembly

Image 1

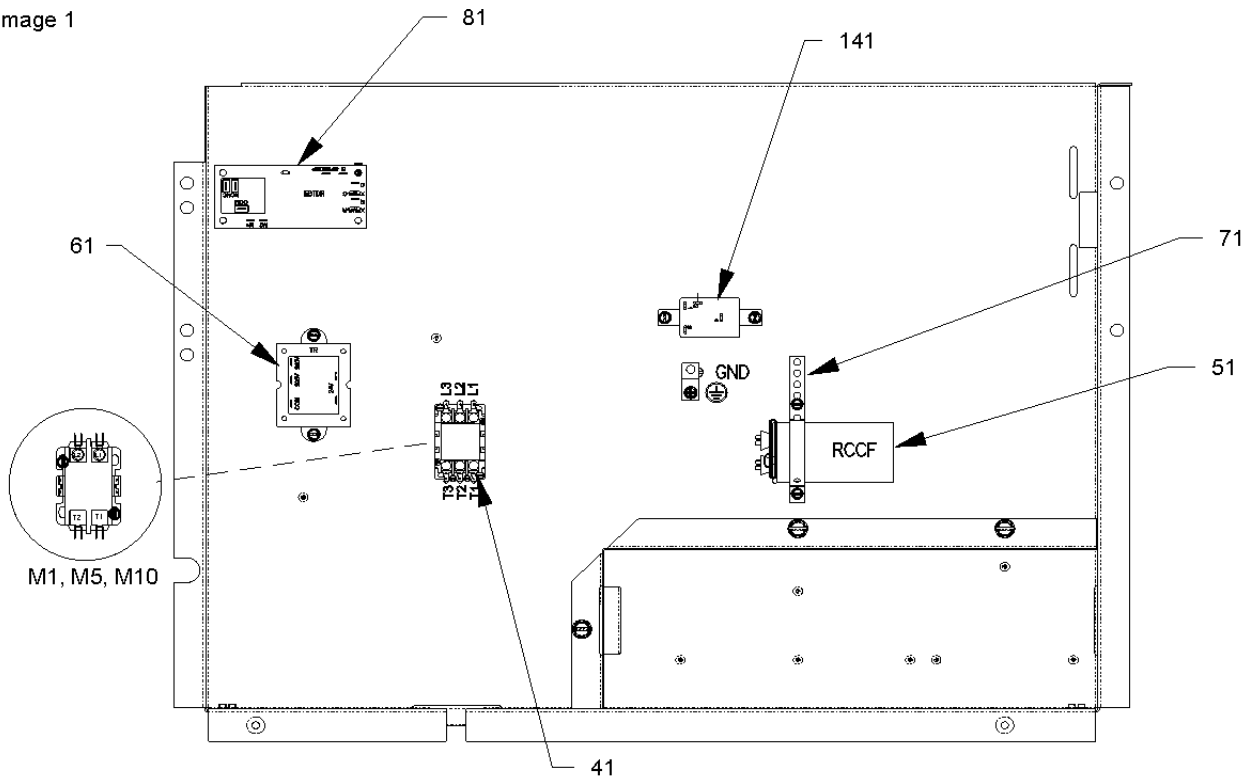
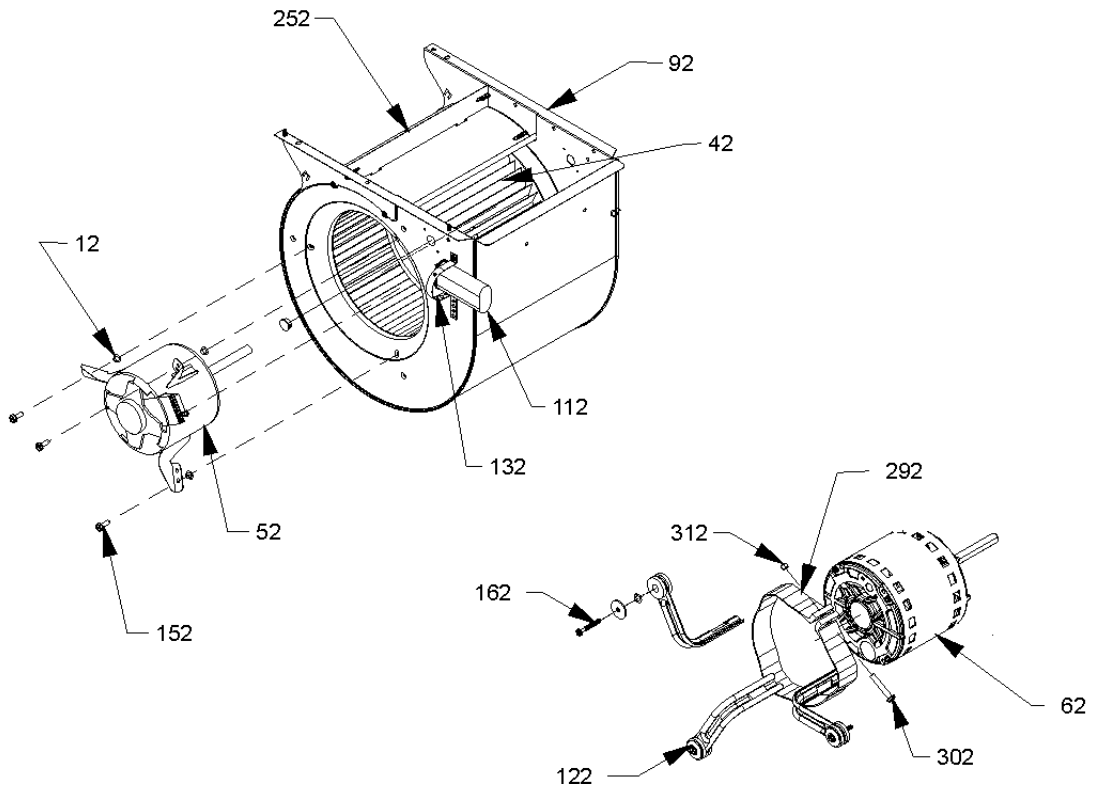


Image 2



Control Panel/Blower Assembly

**Ref. Part
No: No:**

Description:

**Ref. Part
No: No:**

Description:

Image 1:

41	CONT1P025024V	CONTACTOR 25 AMP, 1P, 24V (M1, M2, M3)
41	CONT3P025024V	CONTACTOR 25 AMP, 3P, 24V (M4, M8, M9, M13, M14)
41	CONT2P040024V	CONTACTOR 40 AMP, 2P, 24V (M5, M6, M7, M10)
51	CAP050450440RT	CAP, 5/45 MFD/440V/DUAL RD (M1, M5)
51	CAP050000370VA	CAPACITOR 5/370V (M4, M8, M9, M13, M14)
51	CAP050450440RT	CAPACITOR 5/45/440V (M2, M3, M6, M7)
51	CAP050700440RT	CAPACITOR 5/70 MFD/440V/DUAL RD (M10, M11, M12)
61	B1141643	TRANSFORMER 208/230, 24V
71	20520901	CAPACITOR STRAP
81	PCBFM131	ELECTRONIC BLOWER TIME DELAY RELAY (M1, M2, M3, M4)
141	0130M00014	240 VOLT RELAY (M1, M2, M3)
NS	0259G00001P	WIRE HARNESS, ELECTRIC HEAT (M4)
NS	0259G00004	WIRE HARNESS, ELECTRIC HEAT (M1, M2, M3)
NS	0259G00021	WIRE HARNESS, ELECTRIC HEAT (M5, M6, M7, M8, M9, M10, M11, M12, M13, M14)
NS	0259G00092	WIRE HARNESS-ECON (M4, M8, M13)
NS	0259G00111	WIRE HARNESS-ECON (M9, M14)

Expanded Model Nomenclature

M1 - GPC1336M41AA
M2 - GPC1336M41BA
M3 - GPC1336M41CA
M4 - GPC1336M43AA
M5 - GPC1348M41AA
M6 - GPC1348M41BA
M7 - GPC1348M41CA
M8 - GPC1348M43AA
M9 - GPC1348M43BA
M10 - GPC1360M41AA
M11 - GPC1360M41BA
M12 - GPC1360M41CA
M13 - GPC1360M43AA
M14 - GPC1360M43BA

Image 2:

12	B1392143	GROMMET, 26TAL F/TORSIN FLEX (M1, M2, M3, M4)
42	D6723303S	BLOWER WHEEL
52	11091203S	BLOWER MOTOR 1/3 HP, 3 SP, 6 PL (M1, M2, M3, M4)
62	0131M00334	MOTOR - 1 HP PROGRAMMED SELEC (M10, M13)
62	0131M00341	MOTOR - 3/4 HP PROGRAMMED SELE (M5, M8)
62	0131M00460	PROGRAMMED MOTOR (M11, M12, M14)
62	0131M00467	PROGRAMMED MOTOR (M6, M7, M9)
92	0271G00024	BLOWER HOUSING ASSY 10 X 9
112	CAP100000370VA	CAPACITOR 10/370V [BLOWER] (M1, M2, M3, M4)
122	B1376857	MOTOR MOUNT ARM (M5, M6, M7, M8, M9, M10, M11, M12, M13, M14)
132	20520901	CAPACITOR STRAP (M1, M2, M3, M4)
152	M0250558	TC SCREW (M1, M2, M3, M4)
162	M0250565	TC SCREW 1.25" (M5, M6, M7, M8, M9, M10, M11, M12, M13, M14)
252	764742	BLOWER BLOCK-OFF
292	0121M00038	MOTOR MOUNT BAND (M5, M6, M7, M8, M9, M10, M11, M12, M13, M14)
302	B1393323	MACHINE SCREW HWH 1/4-20 X 1-1/2 BZ (M5, M6, M7, M8, M9, M10, M11, M12, M13, M14)
312	B1393800	LOCKNUT, NYLON, INSERT 1/4, 20 (M5, M6, M7, M8, M9, M10, M11, M12, M13, M14)
NS	0259G00057	BLOWER HARNESS (M5, M6, M7, M10, M11, M12)
NS	0259G00059	BLOWER HARNESS (M8, M9, M13, M14)
NS	B821700	CAPACITOR BOOT (M1, M2, M3, M4)